

Modular Fuseblocks

1BS102

0-600V, 400 Amps

CATALOG SYMBOL: 1BS102

VOLTAGE RATING: 600V

CURRENT RATING: 400A

BASE: Molded black phenolic, 150°C

MOUNTING STUDS:

Zinc-plated steel

1/4" - 20 x 1/2" hex head bolt

NUT: Zinc-plated steel

WASHER: Zinc-plated steel

1/4" Belleville washer

CONNECTOR: Tin-plated aluminum

WIRE RANGE: Single #6AWG through two 250MCM

WIRE TYPES: Copper or aluminum

Stranded or solid

AGENCY APPROVALS:

UL Recognized, Guide No. IZLT2, File No. E14853

CSA Certified, Class Pending

WITHSTAND RATING:

200,000A RMS. SYM. or the interrupting rating of the fuse used, whichever is smaller.

TORQUE REQUIREMENTS:

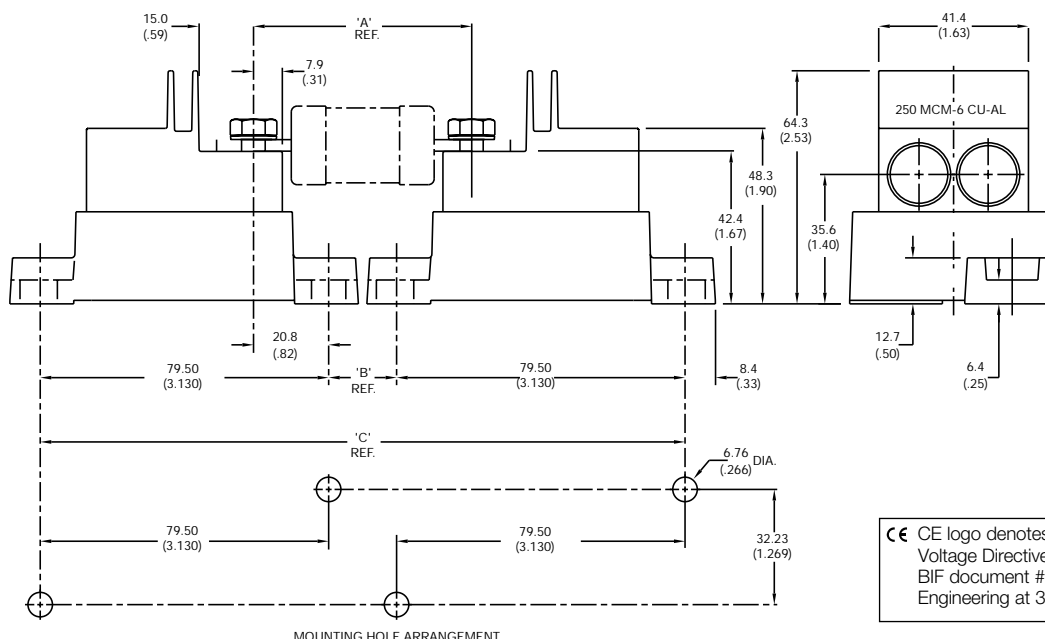
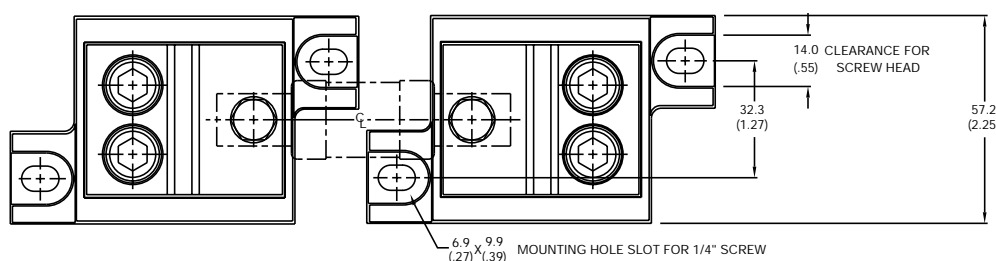
Conductor Set Screw: 275 lbs-in

Fuse Mounting Bolt: 120 lbs-in

Mounting Dimensions mm (inches)

Catalog No.	"A"	"B"	"C"
FWA 70A-100A	50.3 (1.98)	8.9 (0.35)	167.9 (6.61)
FWH 125B-200B	70.4 (2.77)	29.0 (1.14)	188.0 (7.40)
FWX 125A-200A	61.2 (2.41)	19.8 (0.78)	178.8 (7.04)
KBC 110-200	94.0 (3.70)	52.6 (2.07)	211.6 (8.33)
70-100CJ	92.2 (3.63)	50.8 (2.00)	209.8 (8.26)
125-200M09C	111.3 (4.38)	69.9 (2.75)	228.9 (9.01)
250-400P09C*	111.3 (4.38)	69.9 (2.75)	228.9 (9.01)
JJS 110-200	63.5 (2.50)	22.1 (0.87)	181.1 (7.13)

*When used in multiple pole configurations, 19.05 (.750) should be maintained between adjacent moldings when mounting the fuses indicated.



CE CE logo denotes compliance with European Union Low Voltage Directive (50-1000 VAC, 75-1500 VDC). Refer to BIF document #8002 or contact Bussmann Application Engineering at 314-527-1270 for more information.

The only controlled copy of this BIF document is the electronic read-only version located on the Bussmann Network Drive. All other copies of this BIF document are by definition uncontrolled. This bulletin is intended to clearly present comprehensive product data and provide technical information that will help the end user with design applications. Bussmann reserves the right, without notice, to change design or construction of any products and to discontinue or limit distribution of any products. Bussmann also reserves the right to change or update, without notice, any technical information contained in this bulletin. Once a product has been selected, it should be tested by the user in all possible applications.